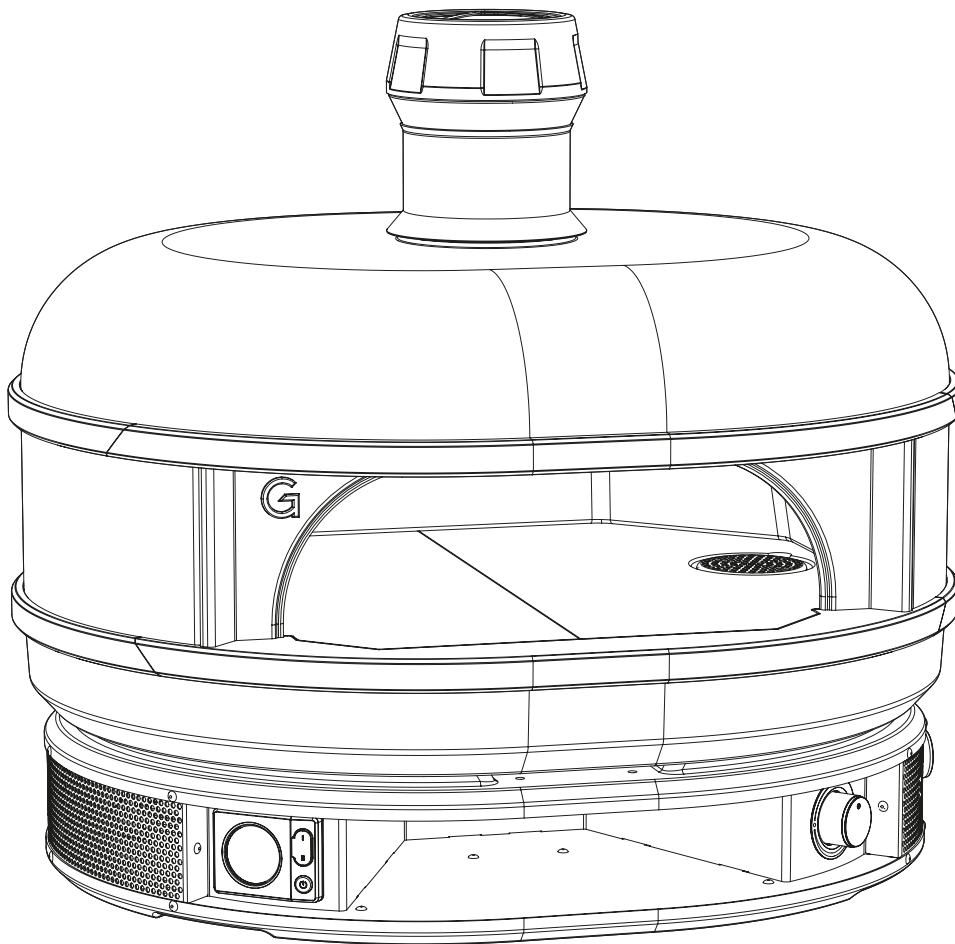


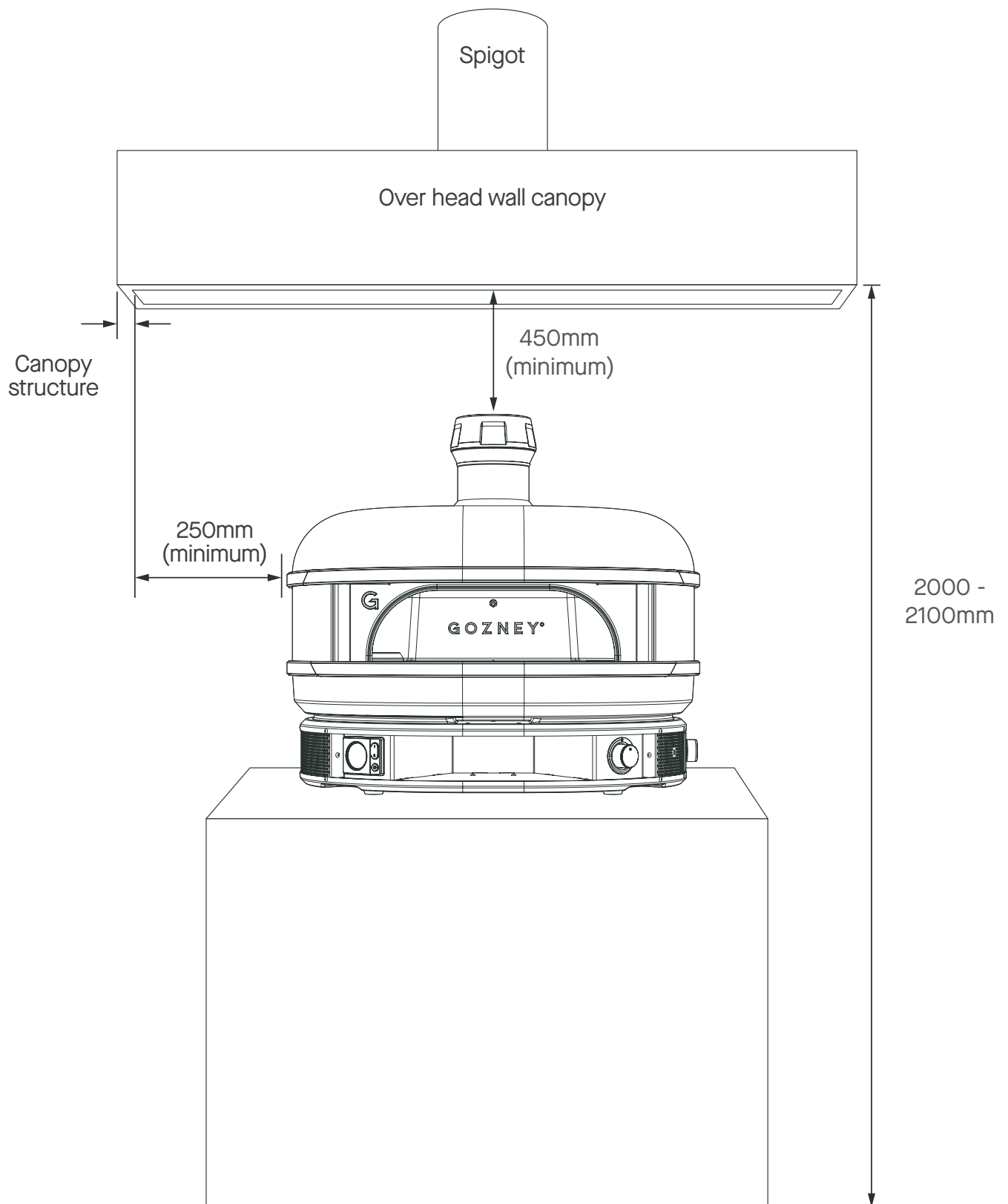
# TYPICAL VENTILATION GUIDE

## GOZNEY DOME



# Gozney Dome

Typical ventilation setup.

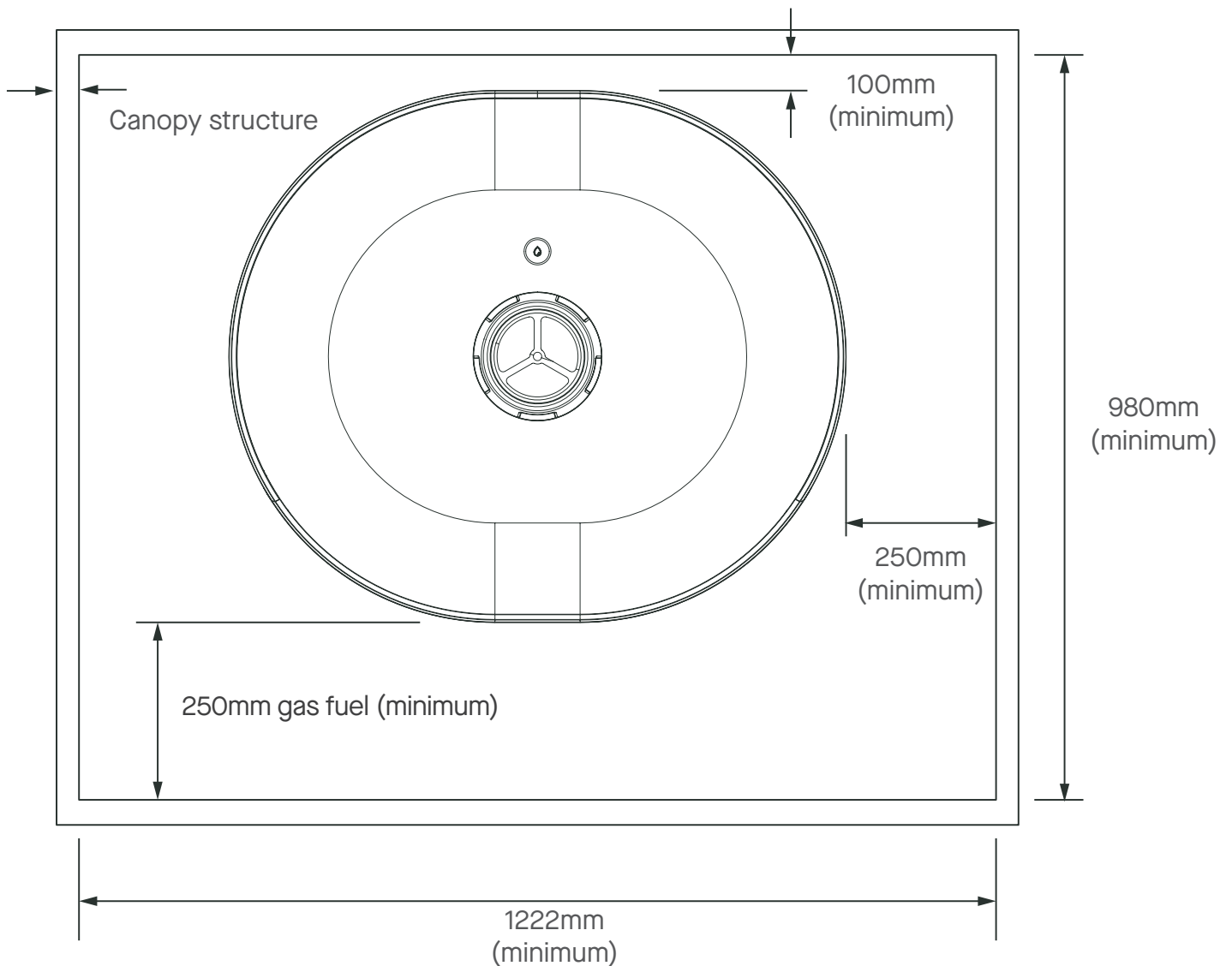


Unit 18 & 19, The Runway,  
Christchurch, Dorset.  
BH23 4FL.

**w** [www.gozney.com](http://www.gozney.com)  
**e** [enquiries@gozney.com](mailto:enquiries@gozney.com)  
**t** +44 (0)1425 204 999

**GOZNEY°**

# Gozney Dome



## Duct flow rate guide

Fuel Type	Flow Rate
Gas	0.2 m <sup>3</sup> /s (425 CFM)

Canopy extraction must take emissions outside of the building to atmosphere. Please note, the above is a guide only. Extraction regulations can vary based on your location. Please refer to local codes and regulations for requirements in your area.

